

## Assembly Manual for 18" CCI Disk Stack Retrofit

### INDEX

<b>Sub-Section</b>	<b>Title</b>	<b>Page No</b>
<b>1</b>	<b>INTRODUCTION</b>	<b>3</b>
<b>2</b>	<b>ASSEMBLY INSTRUCTIONS</b>	<b>4</b>
<b>APPENDIX 1</b>	<b>VALVE PARTS IDENTIFIER</b>	<b>5</b>
<b>APPENDIX 2</b>	<b>PARTS LIST - GLOBE CONTROL VALVE</b>	<b>6</b>

## Assembly Manual for 18" CCI Disk Stack Retrofit

### 1. INTRODUCTION

***This document is a Specific assembly manual intended for use on an 18" Mitech Energy Dissipating Disk Stack Retrofit to a CCI Valve body.***

The drawings included in this manual refer to the above mentioned

*For identification of parts and components numbers, please refer to the drawings and parts descriptions tables.*

### 2. ASSEMBLY INSTRUCTIONS

- 2.1 Fit seat ring (5) and seat gasket into body
- 2.2 Re-assemble the disk stack (60) in the valve, taking care to maintain the correct disk sequence and orientation.

NOTE : Semi-circular notches on the disk must  
(i) line up and  
(ii) Be on top of the disk

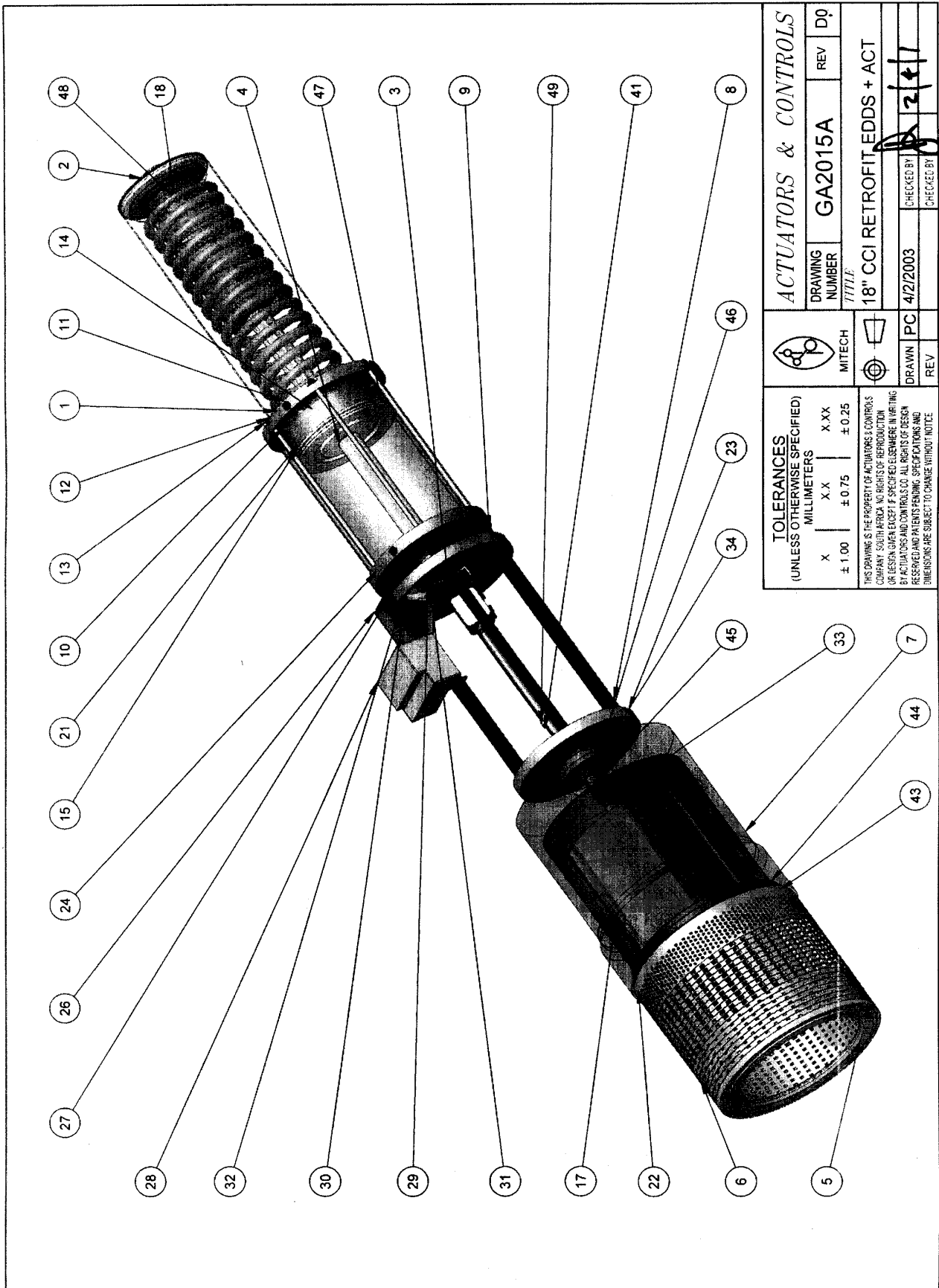
- 2.3 Fit the Pressure balance seal (43) into the pressure balance sleeve (22) ensuring correct orientation (pressure on the top).
- 2.4 Fit the pressure balance sleeve (22) into the top of the disk stack (6).
- 2.5 Fit the pressure balance 'O'-ring (44) onto the pressure balance sleeve.
- 2.6 Fit bottom guide (33), seal kit (45), 4 off rings 3/8" braided packing (46), guide liner (36) and retainer (35) into the modified bonnet.

NOTE :(35 and 36 must be pre-assembled)

- 2.7 Slide the plug stem (17) through the packing from below. Draw the plug all the way into the bonnet.
- 2.8 Fit the modified bonnet (7) to the valve, ensuring that the plug does not fall out.
- 2.9 Fit the bonnet flange complete with studs and nuts, but do not tighten
- 2.10 Fit actuator assembly onto the bonnet and clamp.
- 2.11 Fit gland flange.
- 2.12 Fit stem clamp (3) leaving approximately 3/8" gap between actuator stem and plug stem.
- 2.13 Pipe up the actuator
- 2.14 Stroke the valve repeatedly while checking for smooth functioning while evenly tightening the bonnet studs following the applicable standard tightening sequence
- 2.15 Calibrate the positioner

# Assembly Manual for 18" CCI Disk Stack Retrofit

## APPENDIX 5 : VALVE PARTS IDENTIFIER



<b>ACTUATORS &amp; CONTROLS</b>	
DRAWING NUMBER <b>GA2015A</b>	REV D0
TITLE <b>18" CCI RETROFIT EDDS + ACT</b>	
MITECH	DRAWN PC
<b>TOLERANCES</b> (UNLESS OTHERWISE SPECIFIED) MILLIMETERS X X.X X.XX ± 1.00 ± 0.75 ± 0.25	CHECKED BY 2/1/11 CHECKED BY
THIS DRAWING IS THE PROPERTY OF ACTUATORS & CONTROLS COMPANY, SOUTH AFRICA. NO RIGHTS OF REPRODUCTION OR DESIGN GIVEN EXCEPT BY SPECIFIC AGREEMENT IN WRITING BY ACTUATORS AND CONTROLS CO. ALL RIGHTS OF DESIGN RESERVED AND PATENTS PENDING. SPECIFICATIONS AND DIMENSIONS ARE SUBJECT TO CHANGE WITHOUT NOTICE.	

Assembly Manual for 18" CCI Disk Stack Retrofit

APPENDIX 6 : VALVE PARTS DESCRIPTION

GA2015				
18" CCI P/B EDDS + CA100FO/360STR + TZID				
ITEM	DESCRIPTION	QTY	PART	MATL
1	SPRING PACK CA100FO/360 STR	1	P4015	.029
2	SPRING PACK END COVER	1	M6136	.904
3	STEM CLAMP TZID 360 STR	1	P4020	.151
4	ACT STEM CA100 - 360 str	1	P4019	.158
5	SEAT RING 18" CCI SD365	1	X2372	.150
6	DISK ED STACK 18" CCI Cv2876	1	X2373	.150
7	BONNET MOD 18" CCI	1	X2387	.999
8	MTG BAR CA100 - 200 EXT	6	P4016	.158
9	BOLT (SET) M20 x 50	6	M2618	.151
10	CYL TUBE MT100/380	1	M4806	.029
11	END PLATE UPPER MT100FO/360	1	M6241	.029
12	TIE BAR MT100/380	6	M4807	.151
13	NUT M12	6	M1247	.151
14	BUSHING STEM 100	3	M1691	.908
15	PISTON MT100	1	M1702	.601
16	WASHER PIST SUPPORT MT100 STD	1	M4497	.150
17	PLUG 18" CCI CC SD360	1	X2375	.891
18	TENS ROD CA100/360 STR	1	M6243	.158
19	NUT NYLOCK M30	1	M1672	.014
20	STUD M30 x 100	1	M6244	.016
21	SNUBBER - CA100/360 STR	1	P4018	.999
22	P/B SLEEVE 18" CCI	1	X2374	.887
23	MTG FLANGE BOTTOM 18"CCI	1	X2376	.029
24	END PLATE LOWER MT100 INT	1	P4017	.029
25	WIPER ROD 56-66-7.0-10	1	M4611	.999
26	POS BKT CA100 TZID 360 STROKE	1	P4021	.151
27	BOLT (SET) M6 x 10	2	M1252	.013
28	POSITIONER H & B TZID	1	TZID	
29	FEEDBACK ARM TZID 360STR	1	P4022A	.151
30	FEEDBACK ARM TZID 360STR - B	1	P4022B	.151
31	FEEDBACK ARM SPACER - TZID	1	P4022C	.904
32	SCREW SHOULDER M6 x 10	1	M1122	.013
33	GUIDE 18" CCI BOTTOM	1	X2388	.825
34	PACK SPACER 18" CCI	1	X2389	.150
35	GUIDE RETAINER 18" CCI	1	X2390	.150
36	GUIDE LINER 18" CCI	1	X2391	.927
37	TAKE - OFF ARM - P4020	1	P4020C	.150
38	BOLT (SET) M5 x 10	2	M1324	.013
39	SCREW SHOULDER M6 x 15	1	M2747	.013
40	FEEDBACK ARM TZID 360 STR	1	P4024	.151
41	IND TUBE DIA25 CLOSED	1	P1988	.150
42	IND TUBE DIA25 OPEN	1	P1985	.150
43	PRESSURE BALANCE SEAL ID360	1		
44	O - RING PARKER NO 2-283 430.66 x 3.53	1		
45	GLAND PACKING SEAL KIT	1		
46	PACK BRAID PTFE - 444 3/8"	0.7		
47	ACTUATOR SEAL KIT	1	SK100	.650
48	SELOK PIN DIA 6 x 55	2	M3229	.999
49	GRUBSCREW M5 x 5	1	M1245	.013