

DAMPER VALVE INSTALLATION & MAINTENANCE MANUAL

1. ROUTINE MAINTENANCE

Routine maintenance on the Damper valves is minimal. The only action required is to check the gland packing (18) and tighten the nuts (16) if any leakage is occurring.

2. ACTUATOR MAINTENANCE

The procedure in the Rotary Actuator Maintenance Manual needs to be followed.

3. INSTALLATION

- 3.1. The Damper should be installed with the valve shaft (5) horizontal.
- 3.2. When installing the damper in the line it is important to minimise the load on the damper body flanges. This can be achieved by ensuring that flanges are correctly aligned and spaced.

4. DISASSEMBLY

- 4.1. Before commencing any work on the damper ensure that the line is isolated and has been purged of toxic gases.
- 4.2. Replacement of the gland packing can be carried out without removing the damper from the line, but the actuator (2) would have to be removed first.
- 4.3. Before removing the actuator from the damper, mark the coupling / shaft (20) and the damper body (1) to ensure that it will be re fitted in the correct position.
- 4.4. Remove the four bolts (21) securing the mounting bracket (19) to the damper then lift off the actuator and bracket.
- 4.5. Remove the coupling (20) from the damper drive shaft (5) if it did not come off with the actuator.
- 4.6. Remove the gland flange (15) and damper gland (11).
- 4.7. Unscrew and remove cap screw (13). Remove the stuffing box insert (12)
- 4.8. Remove guide liner (9) and the packing (18)

5. RE ASSEMBLY

- 5.1. Re assembly is the reverse of disassembly. Replace new packing (18).

**DAMPER VALVE
INSTALLATION & MAINTENANCE MANUAL**

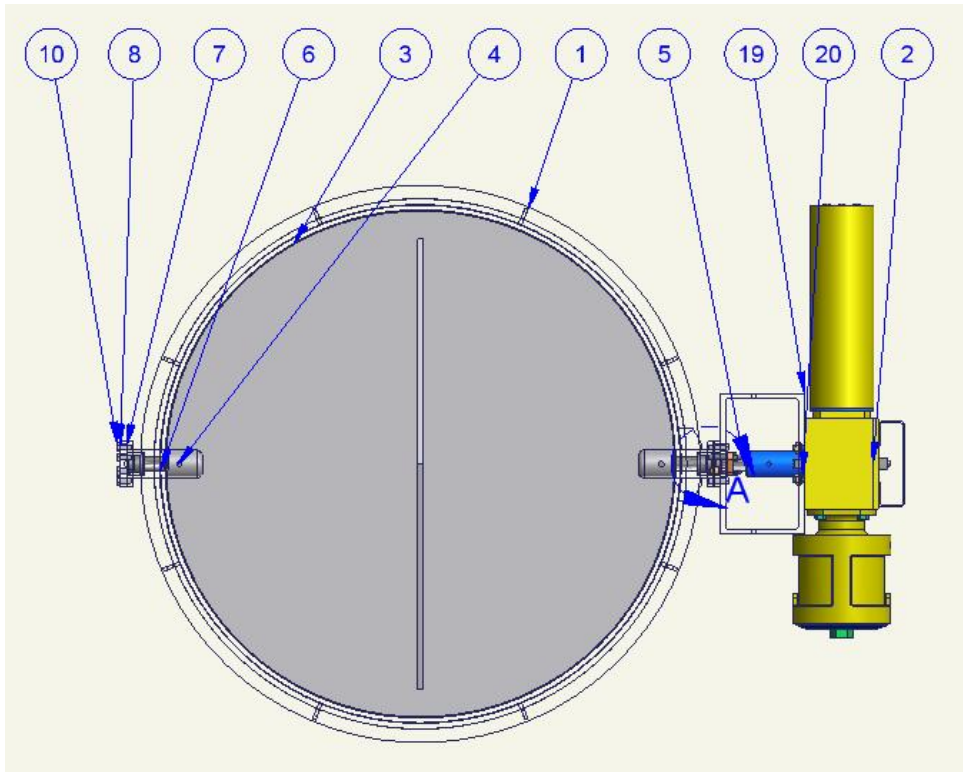
6. PARTS IDENTIFICATION

NUMBER	PARTS DESCRIPTION	NUMBER	PARTS DESCRIPTION
1	Body Assembly	12	Damper Stuffing Box Insert
2	Actuator –fail closed	13	Cap screw
3	Damper Disc	14	Gland Flange Stud
4	Dowel	15	Damper Gland Flange
5	Damper Drive Shaft	16	Nut – Gland Flange
6	Damper Stub Shaft	17	Key
7	Damper Gasket Stub End	18	Packing
8	Damper Stub End	19	Bracket
9	Guide Liner	20	Coupling
10	Bolt	21	Mounting Bolts
11	Damper gland		

**DAMPER VALVE
INSTALLATION & MAINTENANCE MANUAL**

7. DRAWING 1

Damper with Fail Closed Actuator



8. DRAWING 2

Diagram A

